

Oil lubricating sterntube bushes have been manufactured in conjunction with KEMEL COMPACT Seals for decades. Our standard bush is cast iron lined with white metal and the excellent reliability and performance have gained a high reputation.



● **MATERIAL**

The standard materials of back metal are cast iron (FC250). The standard lining material is WJ2.

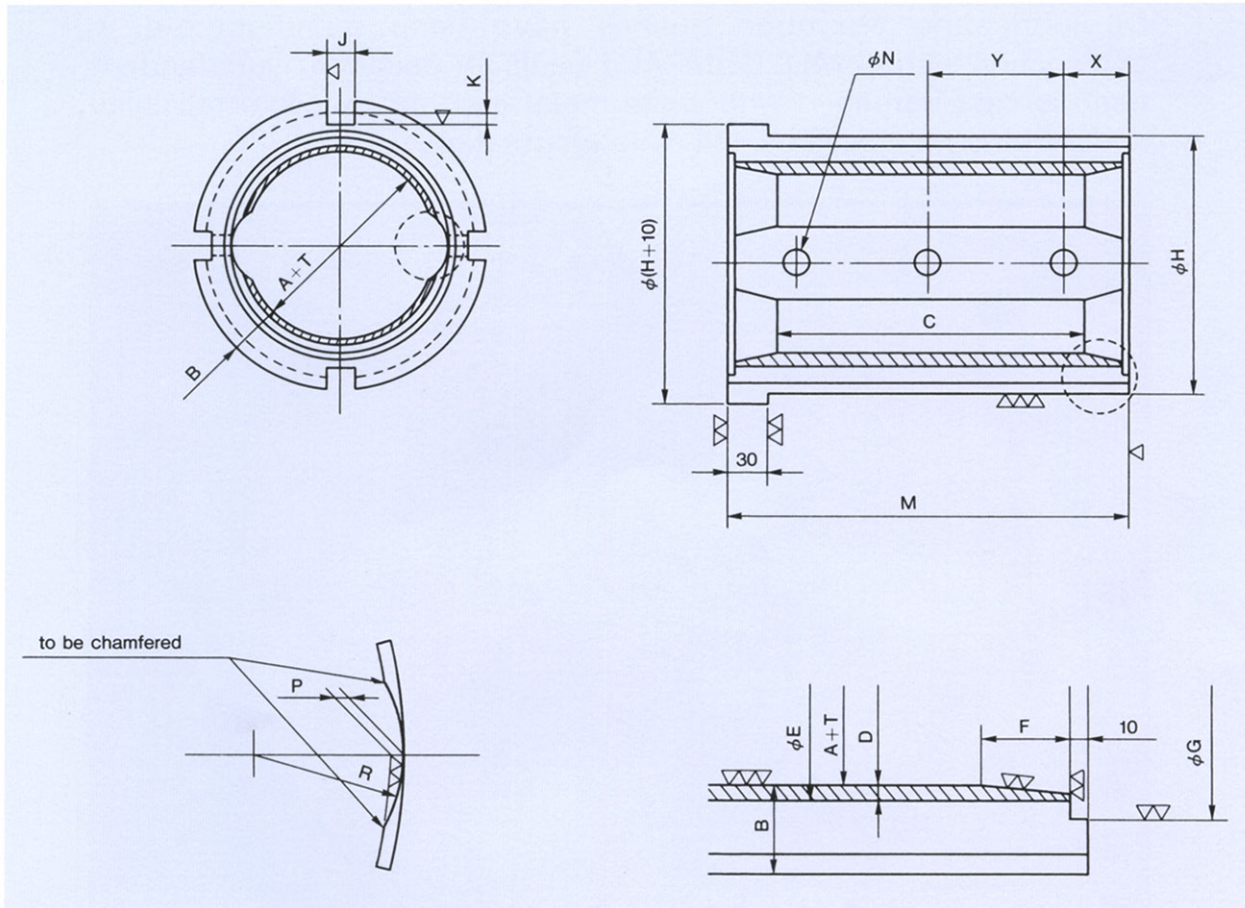
● **MACHINING**

The sterntube bushes are supplied rough turned (margin 3mm) on the outside and finish machined on the others.

● **INSPECTION**

In general, the following inspections are carried out; material test of back metal, water pressure test (0.2MPa), dimension inspection, surface inspection and coherence test of lined material.

# Standard Dimensions



Dimensions in mm

A	101~160	161~208	209~284	285~337	338~400	401~500	501~600	601~700	701~800	801~900	901~1000
B	25	30	35	35	40	45	50	55	60	65	70
C	AFT ≥ 2 × A (LR, AB, NV) FORE C ≥ 0.7 × A										
D	2	2	2	2	3	3	4	4	4	4	4
F	10	10	15	15	20	20	20	20	20	20	20
G	E + 10										
J	30	30	35	35	40	50	60	60	65	65	70
K	8	8	8	10	10	10	15	15	15	15	15
M	C + 2F + 20										
N	20	20	20	30	30	30	40	40	40	40	40
P	3	3	3	3	4.5	4.5	6	6	6	6	6
R	0.35 × A (Min, R45)										
T	0.3	0.4	0.5	0.6	0.7	0.8	0.9	1.0	1.2	1.3	1.4
X	50	50	50	60	80	80	110	110	140	140	170
Y	120~210	120~210	120~210	190~280	190~280	190~280	260~350	260~350	330~420	330~420	400~490

A Shaft diameter

B~Y Standard dimensions